

2 1/2" W X 6" D X 8" H GOMEZ BRACKET

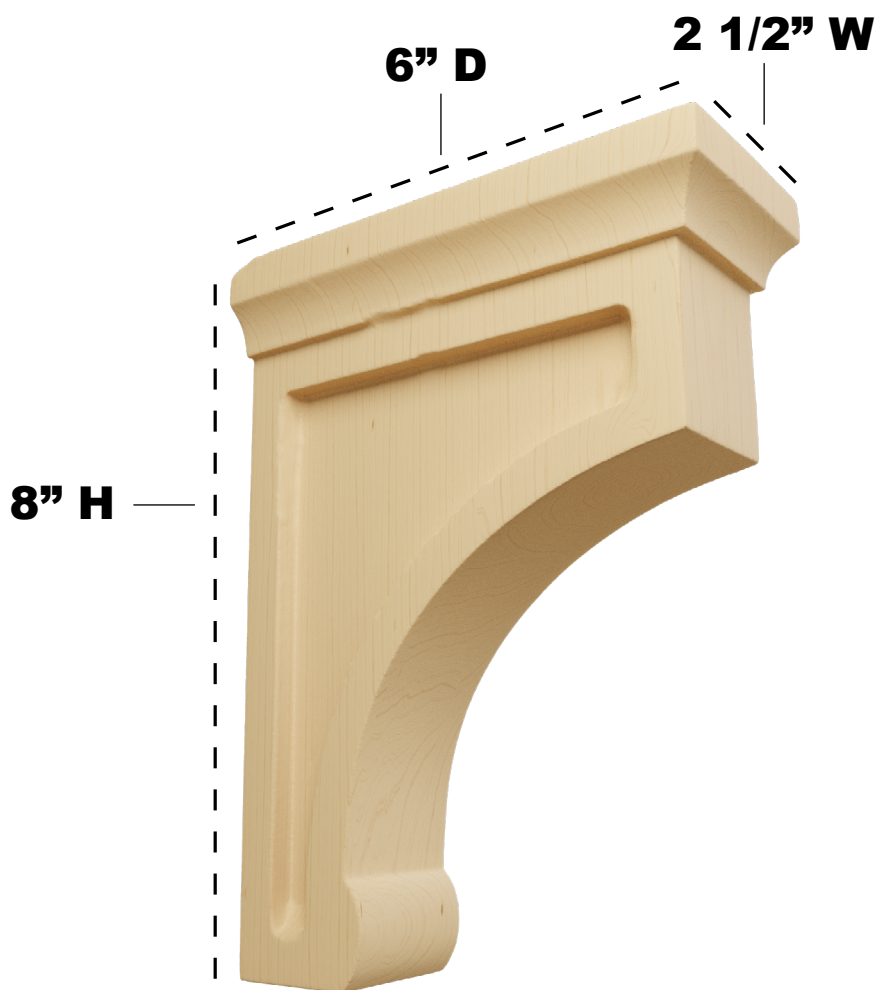
ITEM NO.: BKTW02X06X08GO



FRONT VIEW



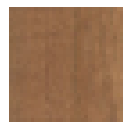
PROFILE VIEW



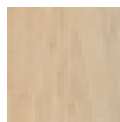
**AVAILABLE
WOOD
SPECIES:**



ALDER



CHERRY



MAPLE



RED OAK



MAHOGANY



WALNUT



RUBBERWOOD



EKENA
MILLWORK

P: 866.607.0453 | F: 866.591.3143

2300 W. Main St. | Clarksville, TX 75426

sales@ekenamillwork.com | www.ekenamillwork.com